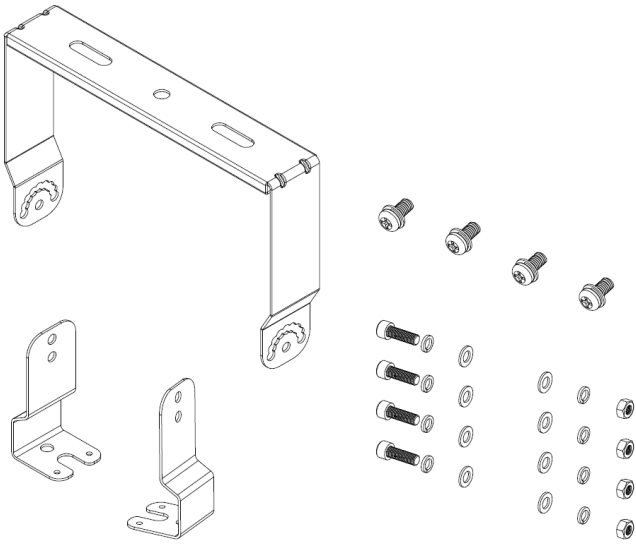
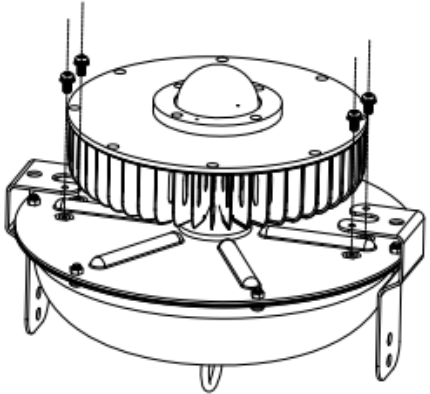
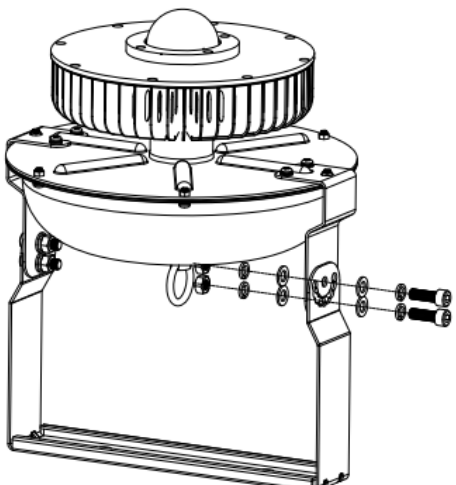


GL-BL Series Brace Accessories Installation Instructions for High Bay Light

	<p>步驟一 取出支架、螺絲配件 □型支架 x 1 L 型支架 x 2 M4x10 組合螺絲 x 4 M8x25 內六角螺絲組合 x 4</p> <p>Step 1. Gather parts for brace assembly. U shape brace x 1 L shape brace x 2 M4x10 screws x 4 M8x25 screws with nuts and washers x 4</p>
	<p>步驟二 將 L 型支架以 M4x10 組合螺絲鎖附在電源盒底部，共兩組。</p> <p>Step 2. Use four M4x10 screws to attach the two L-shaped braces to the bottom of the power box.</p>
	<p>步驟三 將 □ 型支架以 M8x25 螺絲依序鎖附在兩側 L 型支架上。</p> <p>Step 3. Use four M8x25 screws to attach the U-shaped brace to the exterior sides of the L-shaped braces.</p>

 <p>Adjustment screw 調整角度螺絲</p>	<p>步驟四 依實際應用調整螺絲控制燈具照射角度。</p> <p>Step 4. Control the angle of the lighting fixture by adjusting the M8x25 screws according to the application.</p>
--	--